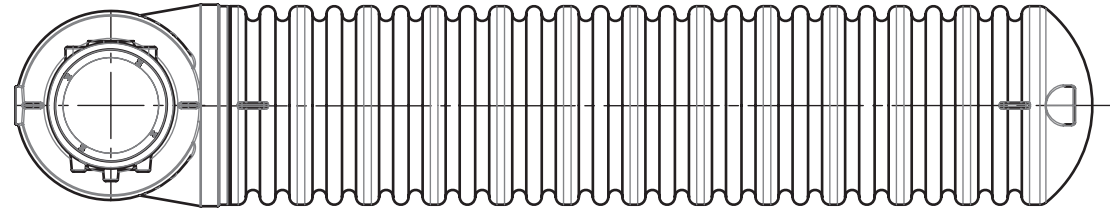
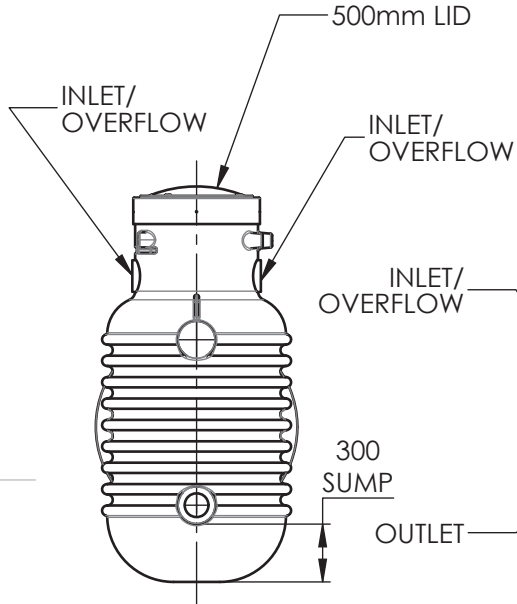


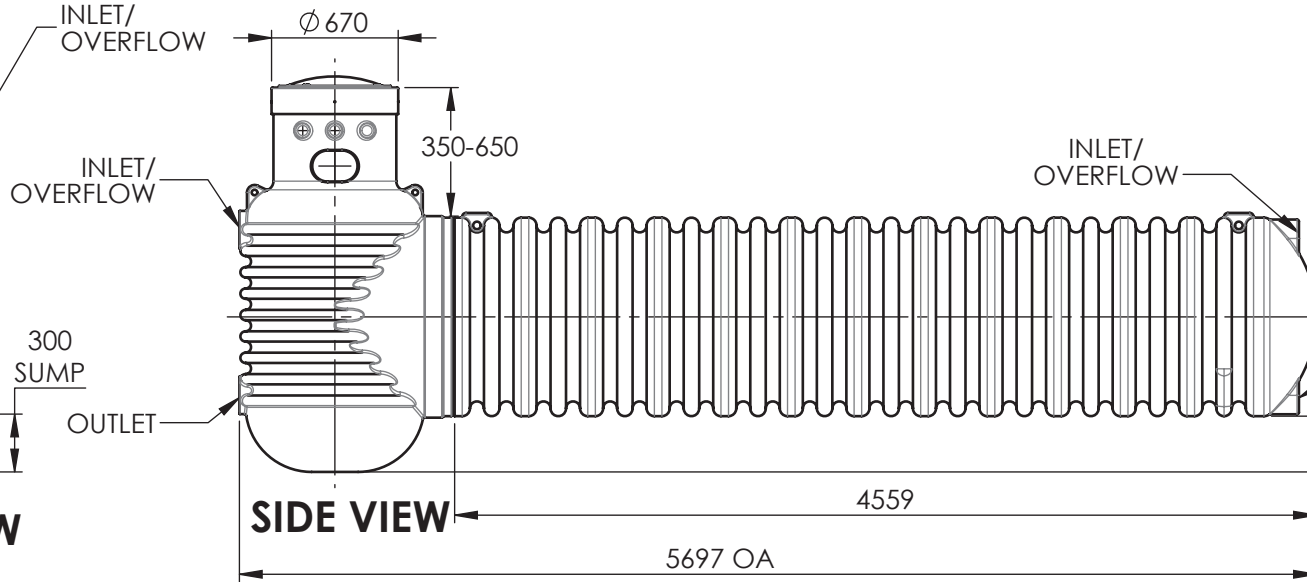
# 4000lt



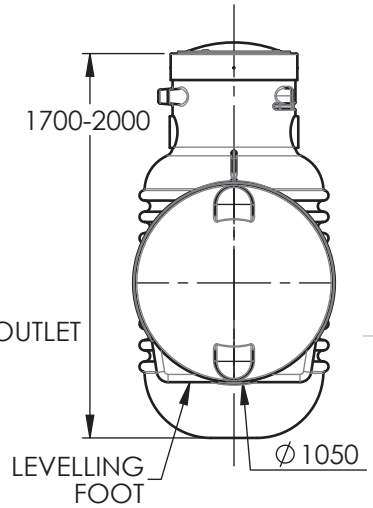
**PLAN VIEW**



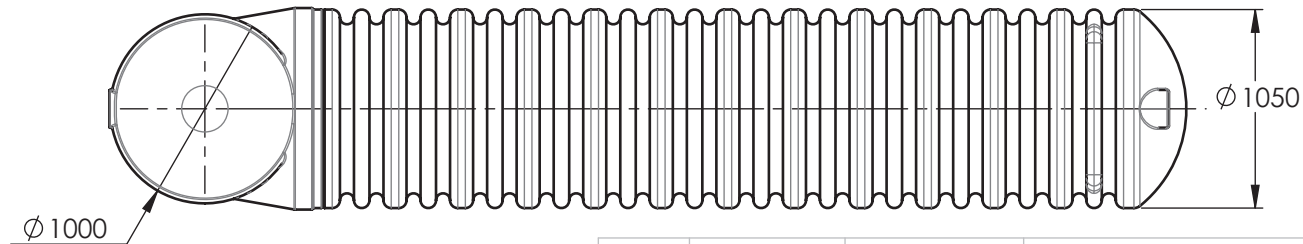
**LH END VIEW**



**SIDE VIEW**



**RH END VIEW**



**UNDERSIDE VIEW**

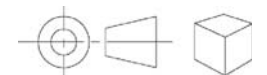
	NAME	DATE
DRAWN	SB	3 October 2016
CHK'D		
APPV'D		
DIMENSIONS OF ROTO MOULDED PARTS ARE APPROX DUE TO VARIATIONS IN THE MANUFACTURING PROCESS		
DO NOT SCALE DRAWING		
Copyright Bailey Tanks Limited 2016		
WEIGHT: WEIGHT		

**Bailey Tanks Limited**  
 36 Ash Road, Wiri, Auckland, New Zealand  
 Tel: + 64 9 2627070 Fax: +64 9 2627071  
 Web: www.baileytanks.com  
 Email: info@baileytanks.com



DWG NO.

SUB1050D.4000



A4

SCALE:1:40

SHEET 1 OF 1

REVISION