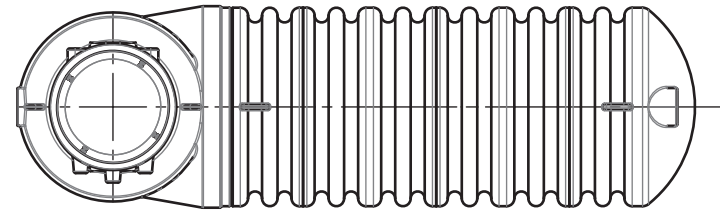
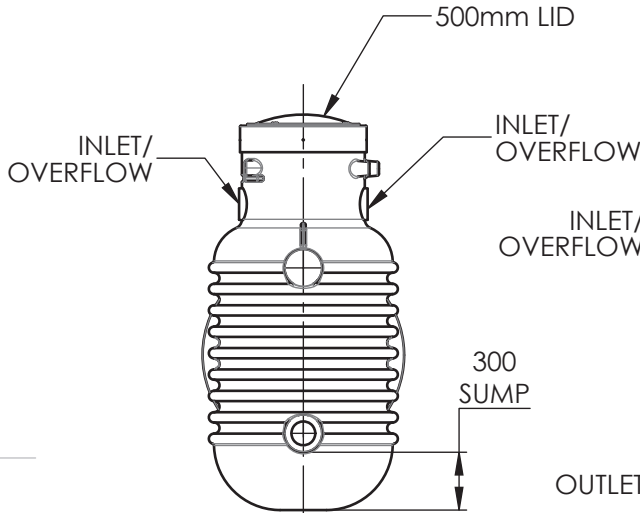


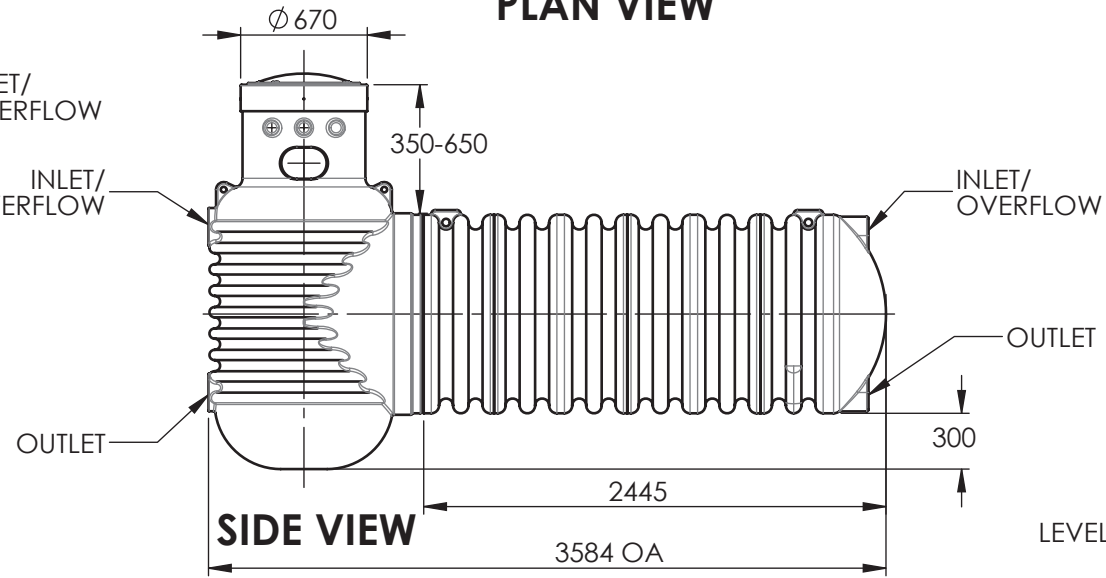
2500lt



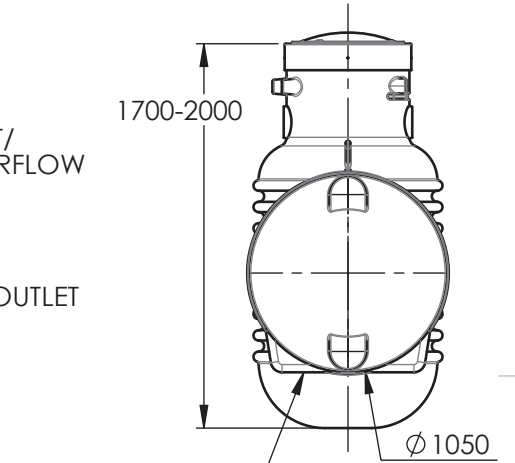
PLAN VIEW



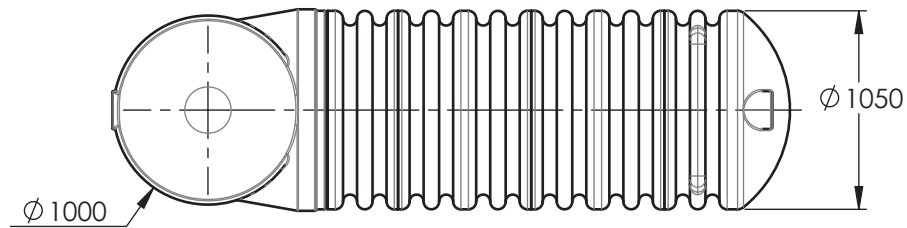
LH END VIEW



SIDE VIEW



RH END VIEW



UNDERSIDE VIEW

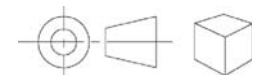
	NAME	DATE
DRAWN	SB	3 October 2016
CHK'D		
APPV'D		
DIMENSIONS OF ROTO MOULDED PARTS ARE APPROX DUE TO VARIATIONS IN THE MANUFACTURING PROCESS		
DO NOT SCALE DRAWING		
Copyright Bailey Tanks Limited 2016		
WEIGHT: WEIGHT		

Bailey Tanks Limited
 36 Ash Road, Wiri, Auckland, New Zealand
 Tel: + 64 9 2627070 Fax: +64 9 2627071
 Web: www.baileytanks.com
 Email: info@baileytanks.com



DWG NO.

SUB1050D.2500



A4

SCALE:1:40

SHEET 1 OF 1

REVISION