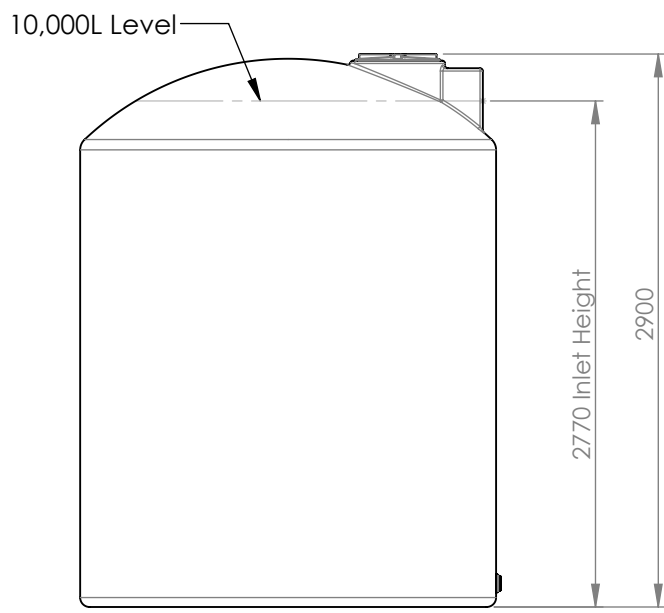
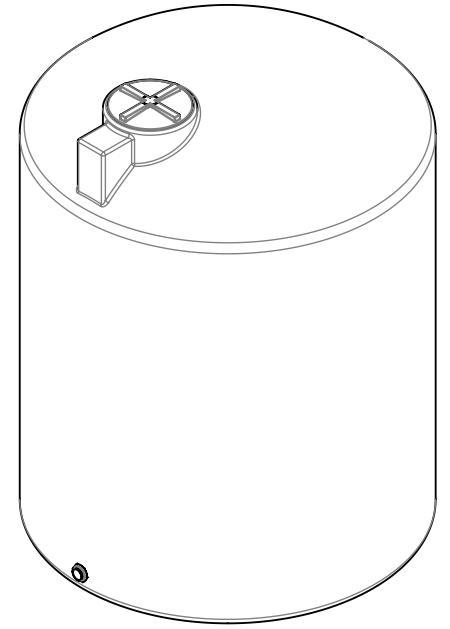


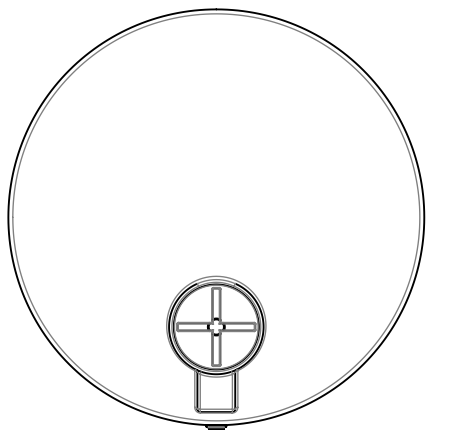
FRONT VIEW



SIDE VIEW



PICTORIAL VIEW



PLAN VIEW

50mm BSP Outlet (Female)

NOTES
 Description: 10,000L (2,200G) Bailey Water Tank
 Material: Linear Low Density Polyethylene
 NZ Standard: Manufactured to ASNZS4766 Standard
 Capacity: 10,00 Litres / 2,200 Gallons
 Specific Gravity: 1.0
 Max Water Temp: 23 Degrees Celcius

	NAME	DATE
DRAWN	D.I.B.	18 September 2013
CHK'D		
APPV'D		
DIMENSIONS ARE APPROXIMATE DUE TO VARIATIONS IN THE MANUFACTURING PROCESS		
DO NOT SCALE DRAWING		
Copyright Bailey Tanks Limited 2013		



DWG NO. **BT10000 NZ REVISION 1**

A4

WEIGHT: 175kg

SCALE 1:40

SHEET 1 OF 1

REVISION 1