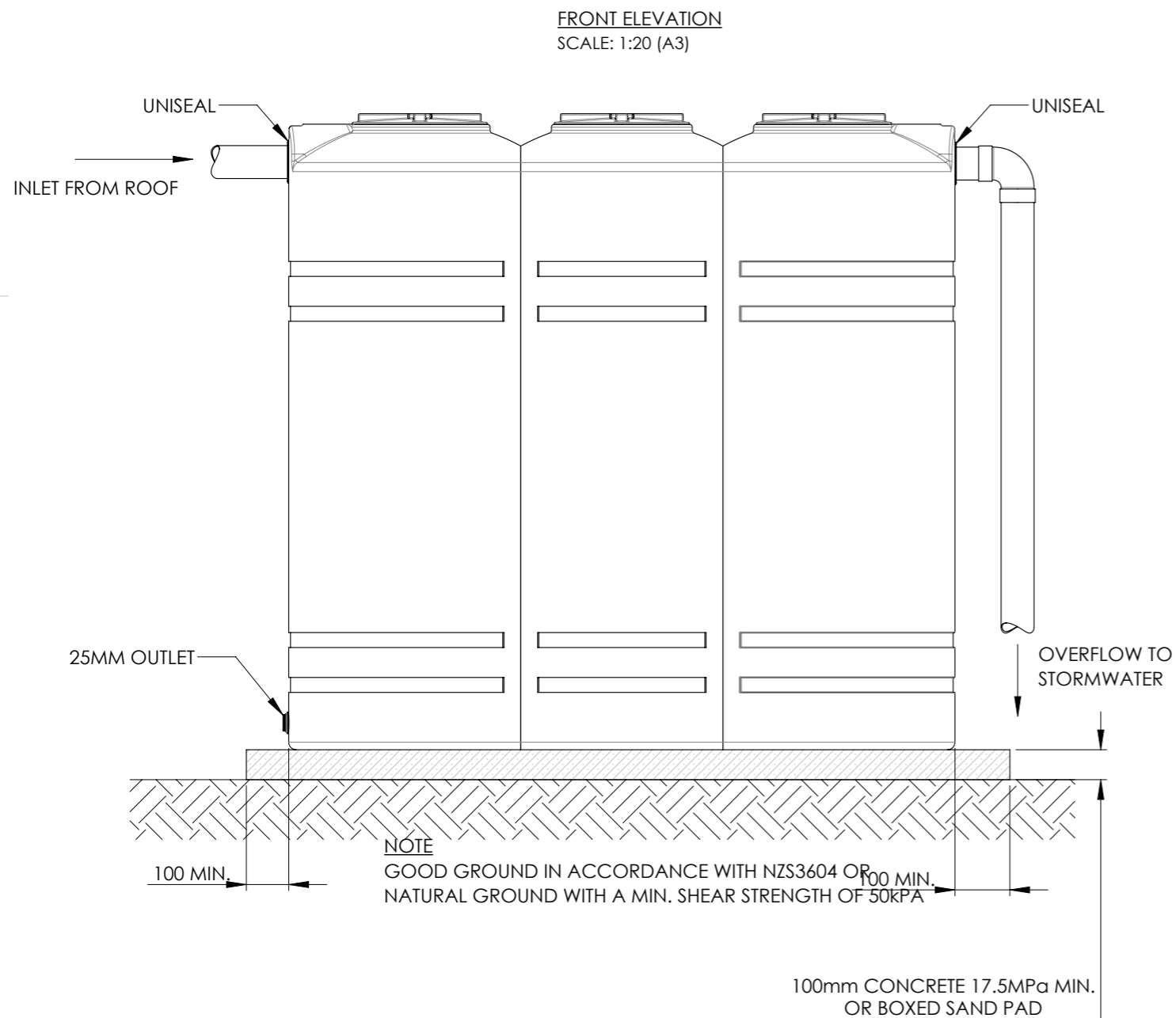
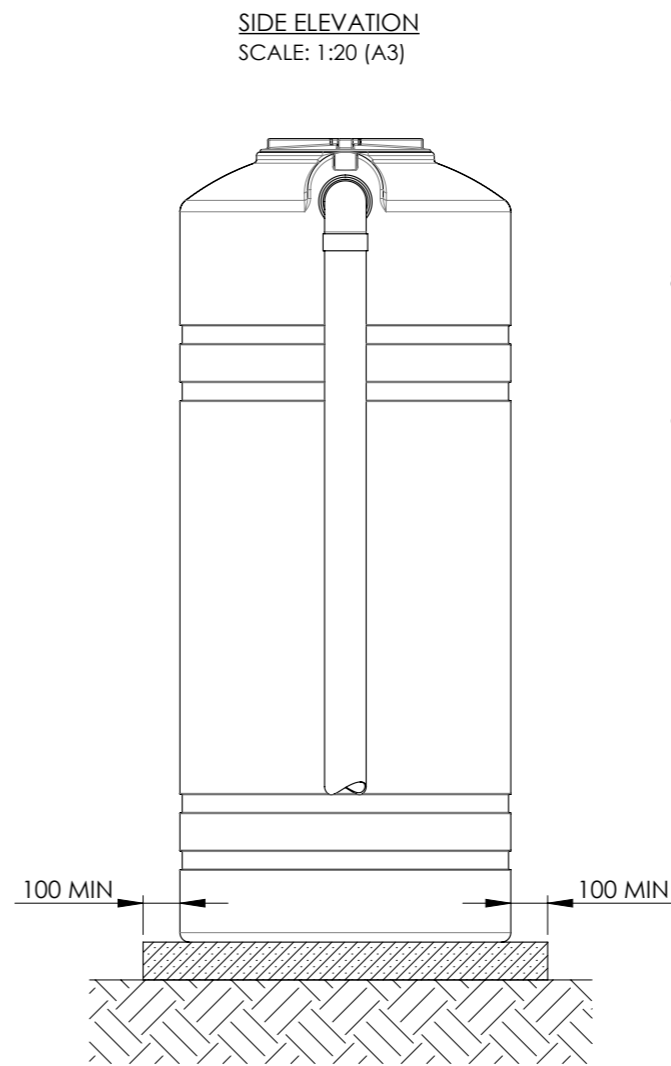


FRONT ELEVATION
SCALE: 1:20 (A3)



FRONT ELEVATION
SCALE: 1:20 (A3)



SIDE ELEVATION
SCALE: 1:20 (A3)

REVISION NO.	DESCRIPTION	DATE	DRAWN BY
-	DRAFT RELEASE	20.08.2020	DIB
A	ADDED WRITTEN INSTRUCTIONS	24.08.2020	DIB

NOTES

FOUNDATION REQUIREMENTS

1. THE SITE SHOULD BE FIRM, LEVEL, STABLE GROUND IN ACCORDANCE WITH NZS3604 OR NATURAL GROUND WITH A MIN. SHEAR STRENGTH OF 50KPA.
2. THE BASE OF THE TANK SHOULD BE ADEQUATELY AND UNIFORMLY SUPPORTED OVER ITS WHOLE AREA.
3. ENSURE THAT THE AREA IS FREE FROM ANY SHARP OBJECTS SUCH AS STONES OR ROOTS.
4. PREPARE EITHER A CONCRETE PAD OR SAND BASE. ENSURE PAD IS LEVEL.
5. THE TANK IS NOT ABLE TO BE BURIED.

PIPEWORK

6. A 25MM (1" BSP) FEMALE OUTLET IS FITTED TO THE BASE OF THE TANK READY FOR A TAP/VALVE. REDUCING BUSHES CAN BE USED IF REQUIRED. ENSURE TO USE TAPERED THREADS AND APPLY THREAD SEAL TAPE.
7. IF AN EXTERNAL PUMP IS USED ENSURE THE CONNECTION BETWEEN THE TANK AND PUMP INCLUDES A FLEXIBLE HOSE TO ABSORB VIBRATION. PIPEWORK BETWEEN THE OUTLET OF THE TANK AND ANY RIGID STRUCTURE SHOULD INCLUDE A FLEXIBLE HOSE OR A 90-DEGREE LOOP TO ALLOW FOR EXPANSION OR SHRINKAGE WITH TEMPERATURE CHANGES.
8. USE THE APPROPRIATELY SIZED HOLESAW TO CUT THE HOLES FOR INLETS AND OVERFLOWS WE STRONGLY RECOMMEND THE USE OF WALLACE OR UNISEALS WHEN INSTALLING INLETS AND OVERFLOWS, THIS WILL ENSURE A WATERTIGHT SEAL. DO NOT USE A JIG SAW.
9. DIVERT THE SELECTED DOWNPIPE TO THE DESIRED TANK INLET POSITION.
10. PIPE THE OVERFLOW AWAY FROM THE FOUNDATION TO PREVENT EROSION.

	NAME	DATE
DRAWN	D.I.B.	20 AUGUST 2020
CHK'D		
APP'VD		

DIMENSIONS OF ROTO MOULDED PARTS ARE APPROX DUE TO VARIATIONS IN THE MANUFACTURING PROCESS

DO NOT SCALE DRAWING

Copyright Bailey Tanks Limited 2020

WEIGHT:

Bailey Tanks Limited
36 Ash Road, Wiri, Auckland, New Zealand
Tel: + 64 9 2627070 Fax: +64 9 2627071
Web: www.baileytanks.com
Email: info@baileytanks.com

